



For the Italian version see below, after the English one.

ANYTHING BUT SUPERLUMINAL NEUTRINOS AND DIVINE BOSONS...
(The former ones, especially, shouldn't even be proposed...)

Leonardo Rubino
leonrubino@yahoo.it
07 July 2012

Abstract

The absurdities on superluminal neutrinos and on Higgs boson are proved by the later denial of the news, for the formers and by the large number of questions (rather than answers) brought by the news, for the latter.

Today, after almost a year from that news on neutrinos, from CERN and OPERA, we can make some criticisms on it; drastic and severe ones, unfortunately. That news shouldn't even have been given.

Personally, I immediately attacked that news and some of the blogs below reported (in Various links) can prove that.

And all the results which led them to give such a news weren't even be worth being taken into consideration, as one who has well understood physics (and this has nothing to do, in general, with having a degree in physics or prestigious positions in the field of physics) should immediately think of measuring/evaluating errors.

In 1919, some eminent scientists were joking (and not so much) on the fact that, in the whole world, just three persons could understand Relativity, in that period. Well, maybe things haven't changed so much, since that time.

Universities just confer degrees, but not the deep knowledge of the Universe; this one can be given only by the Creator; and, time by time, only to those he likes! And the official and prestigious scientific magazines can only claim academic endorsements, but those based on the brain can be given, once again, only by the Creator; and, once again, only to those he likes.

Unfortunately, that news was published; moreover, time before, it seems that an eminent scientist (a white-haired Italian scientist) already made the news leak out, so preparing, somehow, the publication on neutrinos faster than light. And after that, it seems he said:

"One of the most important discoveries after those of Galilei"

But everybody knows how all this ended up, months later: by a crushing denial on everything.

And after that the news was published, even other eminent scientists, as, for instance, a famous Italian astrophysicist (she) and also a famous Italian mathematician (very known in TV) took sides, somehow, by supporting tachyon neutrinos; the former, by saying something like the news could be held as belonging to the progress of science which, after years of convictions on facts as that of the light speed limit, was offering the revolution, the upheaval (all plausible) to men and ending by a sort of <Let's see the progress of science>:

"A clamorous discovery and totally unexpected which will open the doors to theoretical prospects completely new." (etc...)

But she didn't notice that discovery would also open to the absurdity...from which you'd better keep those doors closed...

The latter, still welcoming the news on superfast neutrinos, instead of keeping away from it, seems he stated:

“Einstein’s Relativity does not say at all that the speed of light cannot be exceeded! Everybody says that, but this doesn’t mean it’s true. What Relativity says is just that there must be a speed limit which cannot be exceeded. All experiments, so far, seemed to show that speed was that of light in vacuum, and maybe we will change statement: instead of saying the speed of light cannot be exceeded, one day we will rather say the speed of neutrinos cannot be exceeded.”

Oh, no. The nature says, and how, that the speed limit must be $c=299.792,458$ km/s, or all the electromagnetism will fall down. But all the laws of the electromagnetism are a base for the working of the PC by which you are reading now and by which he has just given us his opinion about...

Moreover, the principle of the speed limit showed up, maybe, with Lorentz, before Einstein. And it did it in an electromagnetic context, through Lorentz transformations and before relativity, indeed; but, after that, the Theory of Relativity does say that the speed limit must be c and not another one.

On this purpose, on page 3, in my treatise called “ON THE ILLUSORINESS OF THE MAGNETIC FORCE” I give a proof that the magnetic force has something illusory in itself, at least in its essence, as it was called, by the pioneers of the electromagnetism, a special name, that is “magnetic force” indeed, but so ignoring that it was exactly an electric Coulomb force, that is a simple “electric” attraction and/or repulsion among electric charges.

In fact, it was given new and special lines of force (magnetic ones), different from the electric ones, of the electric field.

Ok, still with Maxwell we acknowledged that electricity and magnetism were deeply linked, as far as from one you could produce the other; electric moving charges show a magnetic field and a magnetic force (in the electric drill you have at home, for instance, in which the relativistic Lorentz contraction takes place, when you use it! And then they say that Relativity is far away from everyday’s life...); and a variable magnetic field can induce an electric current (in the alternator of your car, for instance).

But the secret of all was exactly there: in the movement. And why? Because, as we are going to see, by the movement we have the Lorentz relativistic contraction, so the change of the spacing among ELECTRIC charges and so a change in the ELECTRIC charge density and so a change in the ELECTRIC force and this delta of ELECTRIC force was originally given the name of MAGNETIC force.

And what has all this to do with the value of the speed limit? A lot, as this equivalence between electric and “magnetic” force can be crowned only after acknowledging that the speed limit is $c = 1/\sqrt{\epsilon_0 \mu_0}$ (equation 6, below reported), so really the speed of light in vacuum c , not another one. If you suppose the existence of an object faster than c , you will also deny all the electromagnetic world, that is the whole world, in general. But all this is not so clear to some eminent scientists.

In other words, if nature really puts in our hands an object which is faster than c , then we could use it as a special tool to carry out measurements on space and time on electric moving charges, so denying the existence of the Lorentz contraction (which is supported by the limit speed c , indeed, and which would be denied by that object) and the subsistence of the magnetic force, which is real, although it’s electric, in it’s real essence.

Moreover, forget the recent news on the Higgs boson, finally found: first of all, the scientific environment from which that news comes from is the same one, again. Furthermore, this kind of announcements have got a behaviour in common: they all diverge, instead of converging to a point of common deep knowledge of the Universe. In fact, such a boson just apparently brings an answer to us (on what it would do), but, at the same time, it also brings another half a dozen of new questions (on what it really is and on how it would do what they say it does).

By summing it up a bit, Higgs boson would give a mass to other particles, through the friction among them and the Higgs field!

It’s like if there is a guy, whose name is Anthony (and I don’t know him) and after researches and investigations I’m told that Anthony has been introduced to Jennifer by Josephine, through Michael. And so, now, I still don’t know Anthony, but not only: from now on, I do not know also Jennifer, Josephine and Michael...

In fact, the echo of the news on the Higgs’ boson has not yet faded out and there is already who has (re)started to hunt the superhiggs, in environments with 43 dimensions!

Let’s make short a long story: instead of all those implausibilities, I propose my more plausible Universe, shown, for instance, in the file at the link in point 4, in the bibliography below reported.

ON THE ILLUSORINESS OF THE MAGNETIC FORCE

Magnetic force is simply a Coulomb's electric force(!).

Concerning this, let's examine the following situation, where we have a wire, of course made of positive nuclei and electrons, and also a cathode ray (of electrons) flowing parallel to the wire:

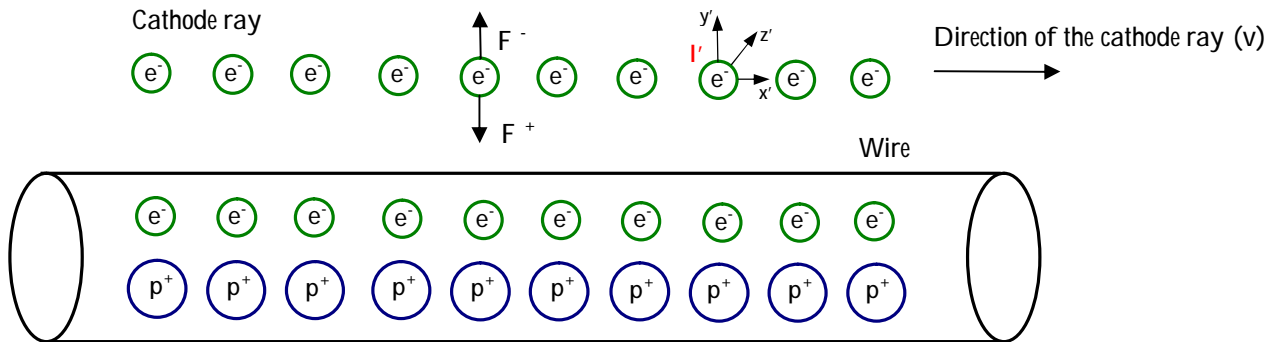


Fig. 1: Wire not flown by any current, seen from the cathode ray steady ref. system I' (x', y', z').

We know from magnetism that the cathode ray will not be bent towards the wire, as there isn't any current in it. This is the interpretation of the phenomenon on a magnetic basis; on an electric basis, we can say that every single electron in the ray is rejected away from the electrons in the wire, through a force F^- identical to that F^+ through which it's attracted from positive nuclei in the wire.

Now, let's examine the situation in which we have a current in the wire (e^- with speed u)

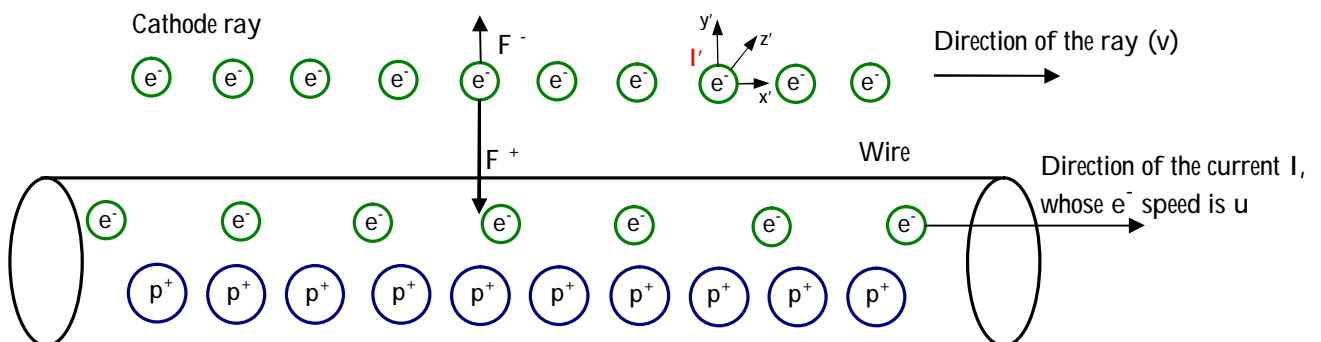


Fig. 2: Wire flown by a current (with e^- speed= u), seen from the cathode ray steady ref. system I' (x', y', z').

In this case we know from magnetism that the cathode ray must bend towards the wire, as we are in the well known case of parallel currents in the same direction, which must attract each other.

This is the interpretation of this phenomenon on a magnetic basis; on an electric basis, we can say that as the electrons in the wire follow those in the ray, they will have a speed lower than that of the positive nuclei, in the system I' , as such nuclei are still in the wire.

As a consequence of that, spaces among the electrons in the wire will undergo a lighter relativistic Lorentz contraction, if compared to that of the nuclei's, so there will be a lower negative charge density, if compared to the positive one, so electrons in the ray will be electrically attracted by the wire. This is the interpretation of the magnetic field on an electric basis. Now, although the speed of electrons in an electric current is very low (centimeters per second), if compared to the relativistic

speed of light, we must also acknowledge that the electrons are billions and billions...., so a small Lorentz contraction on so many spaces among charges, makes a substantial magnetic force to appear. But now let's see if mathematics can prove we're quantitatively right on what asserted so far, by showing that the magnetic force is an electric one itself, but seen on a relativistic basis.

On the basis of that, let's consider a simplified situation in which an electron e^- , whose charge is q , moves with speed v and parallel to a nuclei current whose charge is Q^+ each (and speed u):

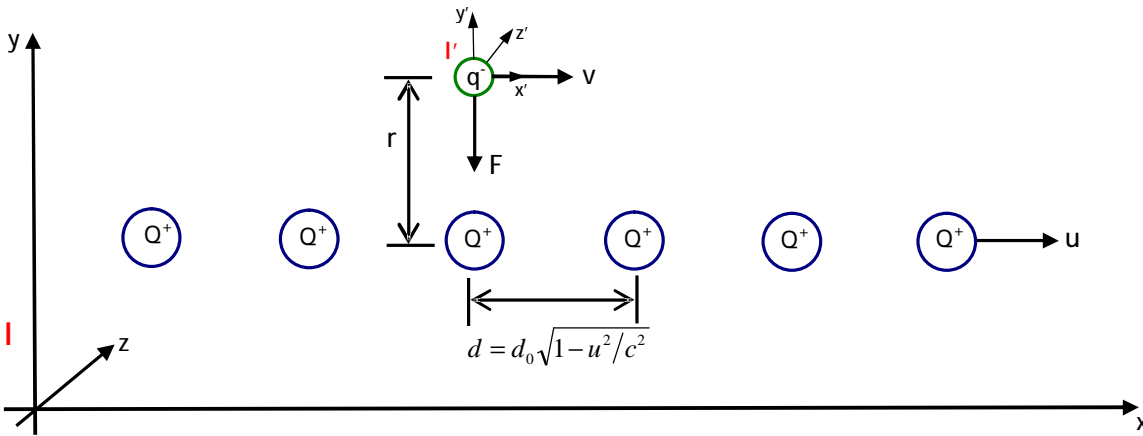


Fig. 3: Current of positive charge (speed u) and an electron whose speed is v , in the reader's steady system I .

a) Evaluation of F on an electromagnetic basis, in the system I :

First of all, we remind ourselves of the fact that if we have N charges Q in line and d spaced (as per Fig. 3), then the linear charge density λ will be:

$$I = N \cdot Q / N \cdot d = Q/d .$$

Now, still with reference to Fig. 3, in the system I , for the electromagnetics the electron will undergo the Lorentz force $F_l = q(E + v \times B)$ which is made of an originally electrical component and of a magnetic one:

$F_{el} = E \cdot q = \left(\frac{1}{e_0} \frac{I}{2pr}\right)q = \left(\frac{1}{e_0} \frac{Q/d}{2pr}\right)q$ due to the electric attraction from a linear distribution of charges Q , and:

$$F_{magn} = m_0 \frac{I}{2pr} = m_0 \frac{Q/t}{2pr} = m_0 \frac{Q/(d/u)}{2pr} = m_0 \frac{uQ/d}{2pr} \quad (\text{Biot and Savart}).$$

$$\text{So: } F_l = q \left(\frac{1}{e_0} \frac{Q/d}{2pr} - v m_0 \frac{uQ/d}{2pr} \right) = q \frac{Q/d_0}{2pr} \left(\frac{1}{e_0} - m_0 uv \right) \frac{1}{\sqrt{1 - u^2/c^2}} , \quad (1)$$

where the negative sign tells us the magnetic force is repulsive, in that case, because of the real directions of those currents, and where the steady distance d_0 is contracted to d , according to Lorentz, in the system I where charges Q have got speed u ($d = d_0 \sqrt{1 - u^2/c^2}$).

b) Evaluation of F on an electric base, in the steady system I' of q :

in the system I' the charge q is still and so it doesn't represent any electric current, and so there will be only a Coulomb electric force towards charges Q :

$$F'_{el} = E' \cdot q = \left(\frac{1}{e_0} \frac{I'}{2pr} \right) q = \left(\frac{1}{e_0} \frac{Q/d'}{2pr} \right) q = q \left(\frac{1}{e_0} \frac{Q/d_0}{2pr} \right) \frac{1}{\sqrt{1-u^2/c^2}} , \quad (2)$$

where u' is the speed of the charge distribution Q in the system I' , which is due to u and v by means of the well known relativistic theorem of composition of speeds:

$$u' = (u - v) / (1 - uv/c^2) , \quad (3)$$

and d_0 , this time, is contracted indie according to u' : $d' = d_0 \sqrt{1-u'^2/c^2}$.

We now note that, through some algebraic calculations, the following equality holds (see (3)):

$1 - u'^2/c^2 = \frac{(1 - u^2/c^2)(1 - v^2/c^2)}{(1 - uv/c^2)^2}$, which, if replacing the radicand in (2), yields:

$$F'_{el} = E' \cdot q = \left(\frac{1}{e_0} \frac{I'}{2pr} \right) q = \left(\frac{1}{e_0} \frac{Q/d'}{2pr} \right) q = q \left(\frac{1}{e_0} \frac{Q/d_0}{2pr} \right) \frac{(1 - uv/c^2)}{\sqrt{1 - u^2/c^2} \sqrt{1 - v^2/c^2}} \quad (4)$$

We now want to compare (1) with (4), but we still cannot, as one is about I and the other is about I' ; so, let's scale F'_{el} in (4), to I , too, and in order to do that, we see that, by definition of the force itself, in I' :

$$F'_{el}(in - I') = \frac{\Delta p_{I'}}{\Delta t_{I'}} = \frac{\Delta p_I}{\Delta t_I \sqrt{1 - v^2/c^2}} = \frac{F_{el}(in - I)}{\sqrt{1 - v^2/c^2}} , \text{ where } \Delta p_{I'} = \Delta p_I , \text{ as } \Delta p \text{ extends along } y , \text{ and}$$

not along the direction of the relative motion, so, according to the Lorentz transformations, it doesn't change, while Δt , of course, does.

So:

$$\begin{aligned} F_{el}(in - I) &= F'_{el}(in - I') \sqrt{1 - v^2/c^2} = q \left(\frac{1}{e_0} \frac{Q/d_0}{2pr} \right) \frac{(1 - uv/c^2)}{\sqrt{1 - u^2/c^2} \sqrt{1 - v^2/c^2}} \sqrt{1 - v^2/c^2} = \\ &= q \left(\frac{1}{e_0} \frac{Q/d_0}{2pr} \right) \frac{(1 - uv/c^2)}{\sqrt{1 - u^2/c^2}} = F_{el}(in - I) \end{aligned} \quad (5)$$

Now we can compare (1) with (5), as now both are related to the I system.

Let's write them one over another:

$F_I(in - I) = q \left(\frac{1}{e_0} \frac{Q/d}{2pr} - v m_0 \frac{u Q/d}{2pr} \right) = q \frac{Q/d_0}{2pr} \left(\frac{1}{e_0} - \frac{m_0 uv}{e_0} \right) \frac{1}{\sqrt{1 - u^2/c^2}}$
$F_{el}(in - I) = q \left(\frac{1}{e_0} \frac{Q/d_0}{2pr} \right) \frac{(1 - uv/c^2)}{\sqrt{1 - u^2/c^2}} = q \frac{Q/d_0}{2pr} \left(\frac{1}{e_0} - \frac{uv}{e_0 c^2} \right) \frac{1}{\sqrt{1 - u^2/c^2}}$

Therefore we can state that these two equations are identical if the following identity holds:

$$c = 1/\sqrt{e_0 m_0} \quad , \quad (6)$$

and this identity is known since 1856. So the limit speed in the Lorentz Transformations must be c !
As these two equations are identical, the magnetic force has been traced back to the Coulomb's electric force, so to its real nature!!

Appendix: Physical constants.

Boltzmann's Constant k :	$1,38 \cdot 10^{-23} J / K$
Cosmic Acceleration a_{Univ} :	$7,62 \cdot 10^{-12} m / s^2$
Distance Earth-Sun AU:	$1,496 \cdot 10^{11} m$
Mass of the Earth M_{Earth} :	$5,96 \cdot 10^{24} kg$
Radius of the Earth R_{Earth} :	$6,371 \cdot 10^6 m$
Charge of the electron e :	$-1,6 \cdot 10^{-19} C$
Number of electrons equivalent of the Universe N :	$1,75 \cdot 10^{85}$
Classic radius of the electron r_e :	$2,818 \cdot 10^{-15} m$
Mass of the electron m_e :	$9,1 \cdot 10^{-31} kg$
Finestructure Constant $a(\cong 1/137)$:	$7,30 \cdot 10^{-3}$
Frequency of the Universe n_0 :	$4,05 \cdot 10^{-21} Hz$
Pulsation of the Universe $w_0(= H_{global})$:	$2,54 \cdot 10^{-20} rad/s$
Universal Gravitational Constant G :	$6,67 \cdot 10^{-11} Nm^2 / kg^2$
Period of the Universe T_{Univ} :	$2,47 \cdot 10^{20} s$
Light Year l.y.:	$9,46 \cdot 10^{15} m$
Parsec pc:	$3,26 _ a.l. = 3,08 \cdot 10^{16} m$
Density of the Universe ρ_{Univ} :	$2,32 \cdot 10^{-30} kg / m^3$
Microwave Cosmic Radiation Background Temp. T :	$2,73K$
Magnetic Permeability of vacuum μ_0 :	$1,26 \cdot 10^{-6} H / m$
Electric Permittivity of vacuum ϵ_0 :	$8,85 \cdot 10^{-12} F / m$
Planck's Constant h :	$6,625 \cdot 10^{-34} J \cdot s$
Mass of the proton m_p :	$1,67 \cdot 10^{-27} kg$
Mass of the Sun M_{Sun} :	$1,989 \cdot 10^{30} kg$
Radius of the Sun R_{Sun} :	$6,96 \cdot 10^8 m$
Speed of light in vacuum c :	$2,99792458 \cdot 10^8 m / s$
Stephan-Boltzmann's Constant σ :	$5,67 \cdot 10^{-8} W / m^2 K^4$
Radius of the Universe (from the centre to us) R_{Univ} :	$1,18 \cdot 10^{28} m$
Mass of the Universe (within R_{Univ}) M_{Univ} :	$1,59 \cdot 10^{55} kg$

Thank you for your attention.
Leonardo RUBI NO
leonrubino@yahoo.it

Various links:

<http://it.catholic.net/notizie/520-i-neutrini-e-einstein-piergiorgio-odifreddi-contro-margherita-hack>

<http://notizie.tiscali.it/articoli/interviste/11/09/zichichi.html>

<http://odifreddi.blogautore.repubblica.it/2011/09/22/alla-velocita-del-neutrino/?ref=HROBA-1>

(+ a comment of mine; one of the very last)

<http://blogs.scientificamerican.com/life-unbounded/2011/09/30/what-next-for-neutrinos/>

(+ a comment of mine)

http://www.focus.it/scienza/superata-la-velocita-della-luce-201109222011_C12.aspx

(+ a comment of mine)

<http://www.fisicamente.net/portale/modules/news2/article.php?storyid=1889>

(+ a comment of mine)

<http://www.galileonet.it/articles/4e80848a72b7ab3b2800001e>

(+ a comment of mine)

<http://www.nature.com/news/2011/110922/full/news.2011.554.html>

(+ a comment of mine)

<http://www.enzopennetta.it/wordpress/2012/04/boncinelli-einstein-si-puo-mettere-in-discussione-darwin-no/>

(+ a comment of mine quoted by others)

etc...

Bibliography:

- 1) (V.A. Ugarov) *TEORIA DELLA RELATIVITA' RISTRETTA*, Edizioni Mir.
- 2) (R. Sexl & H.K. Schmidt) *SPAZIOTEMPO* – Vol. 1, Boringhieri.
- 3) (C. Mencuccini e S. Silvestrini) *FISICA I* - Meccanica Termodinamica, Liguori.
- 4) http://www.fisicamente.net/FISICA_2/UNIVERSO_TRE_NUMERI.pdf
- 5) http://www.altrogiornale.org/tagcloud/tagcloud.php?Leonardo_Rubino
- 6) http://openfisica.com/fisica/upload/documenti/9/leonardo_rubino/Illusione-F-Magnetica.pdf
- 7) <http://www.altrogiornale.org/news.php?item.7566.8>
- 8) http://www.fisicamente.net/FISICA_2/THEORY_OF_RELATIVITY.pdf
- 9) http://www.fisicamente.net/FISICA_2/GENERAL_RELATIVITY.pdf
- 10) http://www.fisicamente.net/FISICA_2/UNIFICAZIONE_GRAVITA_ELETTROMAGNETISMO.pdf
- 11) <http://www.altrogiornale.org/request.php?39>
- 12) <http://www.altrogiornale.org/request.php?38>
- 13) <http://www.altrogiornale.org/request.php?36>
- 14) <http://www.altrogiornale.org/request.php?37>
- 15) <http://www.altrogiornale.org/request.php?35>



ALTRO CHE NEUTRINI SUPERLUMINALI E BOSONI DIVINI... (I primi, soprattutto, non andavano neanche proposti...)

di *Leonardo Rubino*

leonrubino@yahoo.it

07 Luglio 2012

Abstract

Le assurdità sui neutrini superluminali e sul bosone di Higgs sono dimostrate dalla tardiva smentita della notizia, riguardo i primi, e dal gran numero di domande portate, rispetto alle risposte, riguardo la notizia sul secondo.

Oggi, a bocce ferme, a distanza di quasi un anno (non manca molto) da quella notizia da CERN ed OPERA, possiamo fare qualche considerazione; drastica e drammatica, purtroppo. Quella notizia non era nemmeno da dare.

Io, personalmente, presi subito le distanze e alcuni dei blog citati qui sotto (in Links vari) lo testimoniano.

E i risultati che li indussero a dare una simile notizia non erano nemmeno da prendere in considerazione, in quanto una persona che ha compreso la fisica (e che, in generale, non c'entra nulla con il fatto che uno abbia, o meno, una laurea in fisica, o cariche prestigiose in campo fisico) doveva spontaneamente pensare subito all'errore di misura e/o di valutazione.

Nel 1919 alcuni eminenti scienziati scherzavano (e neanche tanto) sul fatto che solo tre persone al mondo, in quel momento, capivano la Relatività. Beh, forse, da quegli anni ad oggi, le cose non sono evidentemente cambiate molto.

Le Università conferiscono solo i titoli di studio, non la intima e profonda comprensione dell'Universo; quest'ultima la fornisce solo il Creatore; e, di volta in volta, a chi vuole lui! E le prestigiose riviste scientifiche ufficiali possono solo esigere endorsements di provenienza accademica, mentre quelli di origine cerebrale, ancora una volta, li offre solo il Creatore; e, ancora una volta, a chi pare a lui.

Purtroppo, invece, la notizia venne data; anzi, tempo prima, pare che un illustre scienziato (un canuto scienziato italiano) già fece trapelare la cosa, precaldeggiano, in qualche modo, la futura pubblicazione della notizia di neutrini più veloci della luce. E poi, pare che dichiarò:

"Una delle scoperte più importanti dai tempi di Galileo"

Sappiamo tutti, però, come è poi finita parecchi mesi dopo: con una clamorosa smentita ufficiale del tutto.

E poi, a notizia pubblicata, addirittura altri scienziati illustri, come, ad esempio, una illustre astrofisica italiana, nonché un illustre matematico italiano (molto noto in TV) presero posizione, in qualche modo, a favore dei neutrini tachionici; la prima, pare, sottolineando che la cosa poteva essere inquadrata nell'ambito del progresso della scienza che, dopo anni ed anni di convinzioni su fatti come quello della velocità limite della luce, stava, ad un certo punto, offrendo all'uomo la rivoluzione, lo sconvolgimento, del tutto plausibile e chiudendo con una sorta di <Stiamo a vedere il progresso della scienza>:

"Una scoperta clamorosa e totalmente inattesa che aprirebbe prospettive teoriche completamente nuove."
(ecc...)

Non osservò, però, che la stessa aprirebbe le porte anche all'assurdo...da cui, quelle porte è meglio tenerle chiuse...

Il secondo, sempre accogliendo la notizia dei neutrini superveloci, invece di prendere immediatamente le distanze, pare abbia dichiarato:

"La relatività di Einstein non prevede affatto che la velocità della luce non possa essere superata! Lo si dice continuamente, ma questo non significa che sia vero. Ciò che la relatività prevede, è soltanto che ci debba

essere una velocità limite che non può essere superata. Gli esperimenti, finora, sembravano indicare che questa velocità insuperabile fosse quella della luce nel vuoto, e forse dovremo cambiare espressione: invece di dire che non si può superare la velocità della luce, magari un giorno diremo che non si può superare quella dei neutrini."

Eh no. La natura lo dice eccome che la velocità limite deve essere $c=299.792,458$ km/s, pena il crollo di tutto l'elettromagnetismo, le cui leggi consolidate sono, ad esempio, alla base del funzionamento del PC tramite il quale voi state ora leggendo e tramite il quale egli ci ha reso nota la sua opinione in merito...

Poi, a parte che il principio della velocità limite comparve forse già con Lorentz, prima di Einstein, ed in un contesto tutto elettromagnetico, tramite le sue trasformazioni e prima della relatività appunto; ma poi, la Teoria della Relatività Ristretta lo dice che la velocità limite deve essere c e non un'altra.

A tal proposito, qui sotto, a pagina 11, nella mia trattazione intitolata "SULLA ILLUSORIETA' DELLA FORZA MAGNETICA", viene data dimostrazione del fatto che la forza magnetica ha un ché di illusorio, perlomeno nella sua essenza, in quanto venne battezzata, dai pionieri dell'elettromagnetismo, con un nome a sé, ossia come "forza magnetica" appunto, ma ignorando, al tempo, che la stessa era invece, nè più, nè meno, che una pura forza elettrica di Coulomb, ossia nè più nè meno che una pura attrazione e/o repulsione "elettrica" tra cariche elettriche.

E le vennero infatti assegnate linee di forza (magnetiche) speciali, distinte da quelle elettriche del campo elettrico.

Sì, già con Maxwell si giunse alla consapevolezza che l'elettricità ed il magnetismo erano intimamente legati, nella misura in cui da uno si otteneva l'altro; le cariche elettriche in moto fanno comparire un campo magnetico ed una forza magnetica (nel vostro trapano di casa, ad esempio, all'interno del quale avviene la contrazione relativistica di Lorentz, quando lo utilizzate! E poi dicono che la Relatività è lontana dalla vita di tutti i giorni...); ed un campo magnetico variabile può indurre una corrente elettrica (nell'alternatore della vostra auto, ad esempio).

Ma il segreto stava proprio qui: nel moto. E perché? Perché, come stiamo per vedere, col moto si ha la contrazione relativistica di Lorentz, ossia la variazione del distanziamento tra le cariche ELETTRICHE e, dunque, la variazione della densità di carica ELETTRICA, ossia la variazione della forza ELETTRICA ed a questo delta di forza ELETTRICA venne dato originariamente il nome di forza MAGNETICA.

E cosa c'entra ciò con il valore della velocità limite? C'entra, in quanto questa corrispondenza tra forza elettrica e forza "magnetica" si corona solo ammettendo che la velocità limite sia $c = 1/\sqrt{\epsilon_0 m_0}$ (equazione 6, qui sotto), ossia proprio la velocità della luce nel vuoto c , e non un'altra. Supporre l'esistenza di un oggetto più veloce di c significa rinnegare la realtà elettromagnetica, ossia la realtà in generale. Ciò che non hanno invece chiaro certi illustri scienziati.

In altre parole, se la natura davvero ci mettesse in mano un oggetto più veloce di c , allora noi potremmo utilizzarlo come strumento speciale per compiere misure di spazio e di tempo sulle cariche elettriche in moto, vanificando la sussistenza della contrazione di Lorentz (supportata appunto dalla velocità limite c , appunto vanificata da tale oggetto) e la sussistenza della forza magnetica, che è reale, sebbene elettrica anch'essa, nella sua vera essenza.

Non parliamo, poi, della recente notizia sul bosone di Higgs, finalmente trovato: innanzitutto l'environment scientifico da cui essa proviene è di nuovo quello. Inoltre, questo genere di annunci hanno tutti in comune il fatto di divergere, invece che di convergere verso un punto di conoscenza profonda dell'Universo. Infatti, tale bosone apparentemente porta una risposta (su ciò che esso farebbe), ma contemporaneamente porta anche un'altra mezza dozzina di domande (su ciò che esso è e sul come farebbe ciò che, si dice, faccia).

Riassumendo un po', il bosone di Higgs darebbe la massa alle altre particelle, tramite l'attrito di queste ultime il con campo di Higgs!

E' come se c'è uno che si chiama Antonio, che io non conosco, e dopo indagini e ricerche di anni, mi dicono che Antonio è stato presentato da Armando ad Antonella, tramite Michele. Così io, ora, continuo a non conoscere Antonio e, per di più, da oggi so di non conoscere neppure Armando, Antonella e Michele...

E, infatti, neanche si è esaurita l'eco della notizia del bosone di Higgs, che già c'è chi si è (ri)messo alla caccia del superhiggs, in environments a ben 43 dimensioni!

Tagliamo corto: io, a tutte queste implausibilità propongo il mio più plausibile Universo esposto, ad esempio, nel file al link al punto 4, in bibliografia.

SULL'ILLUSORIETÀ DELLA FORZA MAGNETICA

La forza magnetica non è altro che una forza elettrica di Coulomb(!).

A tal proposito, immaginiamo la seguente situazione, dove vi è un conduttore, ovviamente composto da nuclei positivi e da elettroni, e poi un raggio catodico (di elettroni) che scorre parallelo al conduttore:

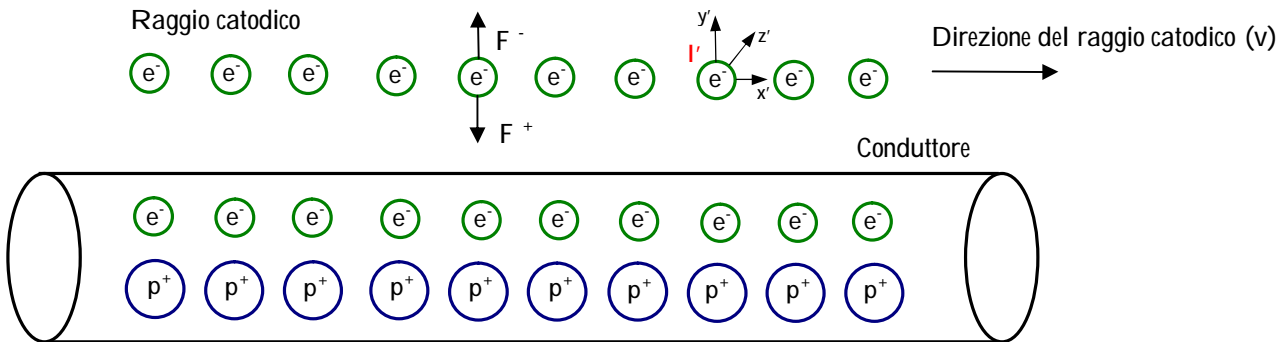


Fig. 1: Conduttore non percorso da corrente, visto dal sistema di riferimento I' (x' , y' , z') di quiete del raggio catodico.

Sappiamo dal magnetismo che il raggio catodico non sarà deflesso verso il conduttore perché in quest'ultimo non scorre nessuna corrente che possa determinare ciò. Questa è l'interpretazione del fenomeno in chiave magnetica; in chiave elettrica, possiamo dire che ogni singolo elettrone del raggio è respinto dagli elettroni del conduttore con una forza F^- identica a quella F^+ con cui è attratto dai nuclei positivi del conduttore.

Passiamo ora alla situazione in cui nel conduttore scorre invece una corrente con gli e^- a velocità u :

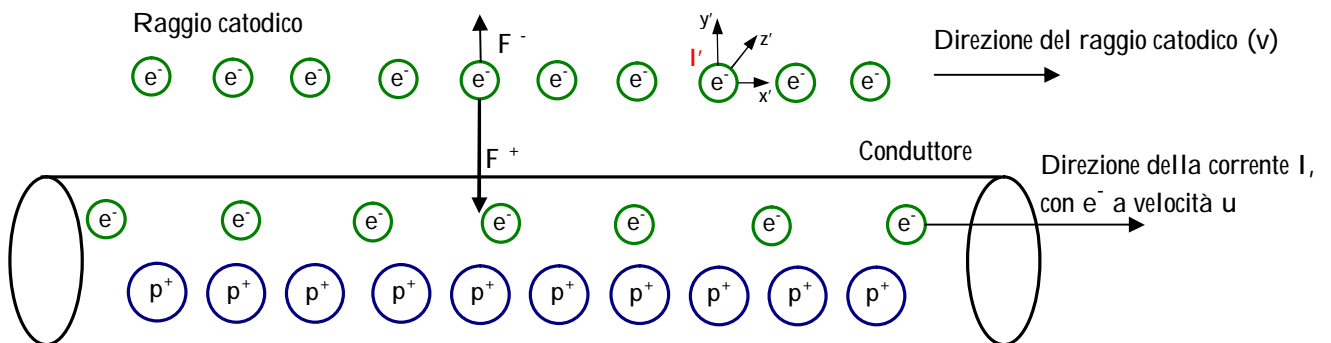


Fig. 2: Conduttore percorso da corrente (con gli e^- a velocità u), visto dal sistema di riferimento I' (x' , y' , z') di quiete del raggio catodico.

In quest'ultimo caso, sappiamo dal magnetismo che il raggio di elettroni deve deflettere verso il conduttore, in quanto siamo nel noto caso di correnti parallele e di verso concorde, che devono dunque attrarsi. Questa è l'interpretazione del fenomeno in chiave magnetica; in chiave elettrica, possiamo dire che dal momento che gli elettroni nel conduttore inseguono, per così dire, quelli del fascio, i primi, visti dal sistema di quiete del fascio (I'), avranno una velocità minore rispetto a quella che risultano avere i nuclei positivi, che invece sono fermi nel conduttore. Risulterà, perciò, che gli spazi immaginabili tra gli elettroni del conduttore subiranno una contrazione relativistica di Lorentz meno accentuata, rispetto ai nuclei positivi, e dunque ne risulterà una densità di carica negativa minore della densità di carica positiva, e dunque gli elettroni del fascio verranno elettricamente attratti dal conduttore. Ecco la

lettura in chiave elettrica del campo magnetico. Ora, è vero che la velocità della corrente elettrica in un conduttore è molto bassa (centimetri al secondo) rispetto alla relativistica velocità della luce c , ma è anche vero che gli elettroni sono miliardi di miliardi ..., e dunque un piccolo effetto di contrazione su così tanti interspazi determina l'apparire della forza magnetica.

Ora, però, vediamo se la matematica ci dà quantitativamente ragione su quanto asserito, dimostrandoci che la forza magnetica è una forza elettrica anch'essa, ma vista in chiave relativistica. Consideriamo allora una situazione semplificata in cui un elettrone e^- , di carica q , viaggia, con velocità v , parallelo ad una corrente di nuclei con carica Q^+ (a velocità u):

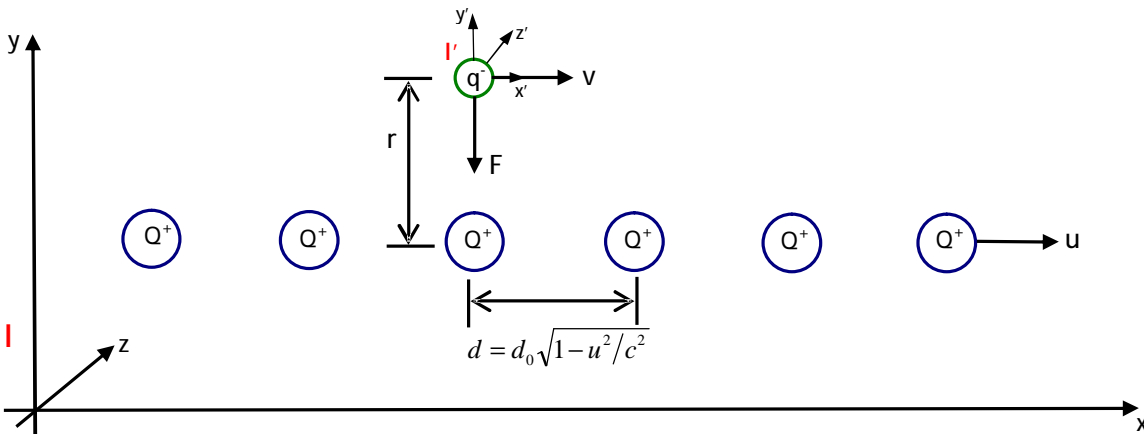


Fig. 3: Corrente di cariche positive (a velocità u) ed elettrone a velocità v nel sistema di quiete del lettore I .

a) Valutazione di F in chiave elettromagnetica, nel sistema I :

Ricordiamo innanzitutto che se ho N cariche Q , in linea, a distanza d una dall'altra (come in figura 3), allora la densità di carica lineare λ sarà:

$$I = N \cdot Q / N \cdot d = Q/d \quad .$$

Ora, sempre con riferimento alla Fig. 3, nel sistema I , per l'elettromagnetismo l'elettrone sarà sottoposto alla forza di Lorentz $F_l = q(E + v \times B)$ che si compone di una componente originariamente già elettrica e di una magnetica:

$F_{el} = E \cdot q = \left(\frac{1}{e_0} \frac{I}{2pr}\right)q = \left(\frac{1}{e_0} \frac{Q/d}{2pr}\right)q$ dovuta all'attrazione elettrostatica di una distribuzione lineare di cariche Q , e:

$$F_{magn} = m_0 \frac{I}{2pr} = m_0 \frac{Q/t}{2pr} = m_0 \frac{Q/(d/u)}{2pr} = m_0 \frac{uQ/d}{2pr} \quad (\text{Biot e Savart}).$$

$$\text{Dunque: } F_l = q \left(\frac{1}{e_0} \frac{Q/d}{2pr} - v m_0 \frac{uQ/d}{2pr} \right) = q \frac{Q/d_0}{2pr} \left(\frac{1}{e_0} - m_0 uv \right) \frac{1}{\sqrt{1 - u^2/c^2}} \quad , \quad (1)$$

dove il segno meno indica che la forza magnetica è repulsiva, in tale caso, visti i segni reali delle due correnti, e dove la distanza d_0 di quiete risulta contratta a d , per Lorentz, nel sistema I in cui le cariche Q hanno velocità u ($d = d_0 \sqrt{1 - u^2/c^2}$).

b) Valutazione di F in chiave elettrica, nel sistema I' di quiete di q:

nel sistema I' la carica q è ferma e dunque non costituisce nessuna corrente elettrica, e dunque sarà presente solo una forza elettrica di Coulomb verso le cariche Q:

$$F'_{el} = E' \cdot q = \left(\frac{1}{e_0} \frac{I'}{2pr} \right) q = \left(\frac{1}{e_0} \frac{Q/d'}{2pr} \right) q = q \left(\frac{1}{e_0} \frac{Q/d_0}{2pr} \right) \frac{1}{\sqrt{1-u^2/c^2}}, \quad (2)$$

dove u' è la velocità della distribuzione di cariche Q nel sistema I', che si compone di u e v tramite il noto teorema relativistico di addizione delle velocità:

$$u' = (u - v) / (1 - uv/c^2), \quad (3)$$

e d₀, questa volta, si contrae appunto secondo u': $d' = d_0 \sqrt{1 - u^2/c^2}$.

Notiamo ora che, con un po' di algebra, vale la seguente relazione (vedi la (3)):

$$1 - u'^2/c^2 = \frac{(1 - u^2/c^2)(1 - v^2/c^2)}{(1 - uv/c^2)^2}, \text{ che sostituita nel radicale della (2) fornisce:}$$

$$F'_{el} = E' \cdot q = \left(\frac{1}{e_0} \frac{I'}{2pr} \right) q = \left(\frac{1}{e_0} \frac{Q/d'}{2pr} \right) q = q \left(\frac{1}{e_0} \frac{Q/d_0}{2pr} \right) \frac{(1 - uv/c^2)}{\sqrt{1 - u^2/c^2} \sqrt{1 - v^2/c^2}} \quad (4)$$

Vogliamo ora confrontare la (1) con la (4), ma ancora non possiamo, perché una fa riferimento ad I e l'altra ad I'; rapportiamo allora F'_{el} della (4) in I anch'essa e, per fare ciò, osserviamo che, per la definizione stessa di forza, in I':

$$F'_{el}(in_I') = \frac{\Delta p_{I'}}{\Delta t_{I'}} = \frac{\Delta p_I}{\Delta t_I \sqrt{1 - v^2/c^2}} = \frac{F_{el}(in_I)}{\sqrt{1 - v^2/c^2}}, \text{ con } \Delta p_{I'} = \Delta p_I \text{ in quanto } \Delta p \text{ si estende lungo } y, \text{ e}$$

non lungo la direzione del moto relativo, dunque per le T. di Lorentz non subisce variazione, mentre Δt ovviamente sì.

Si ha allora:

$$\begin{aligned} F_{el}(in_I) &= F'_{el}(in_I') \sqrt{1 - v^2/c^2} = q \left(\frac{1}{e_0} \frac{Q/d_0}{2pr} \right) \frac{(1 - uv/c^2)}{\sqrt{1 - u^2/c^2} \sqrt{1 - v^2/c^2}} \sqrt{1 - v^2/c^2} = \\ &= q \left(\frac{1}{e_0} \frac{Q/d_0}{2pr} \right) \frac{(1 - uv/c^2)}{\sqrt{1 - u^2/c^2}} = F_{el}(in_I) \end{aligned} \quad (5)$$

Ora, dunque, possiamo confrontare la (1) con la (5), in quanto ora entrambe fanno riferimento al sistema I. Riscriviamole una sopra l'altra:

$$F_I(in_I) = q \left(\frac{1}{e_0} \frac{Q/d}{2pr} - v m_0 \frac{u Q/d}{2pr} \right) = q \frac{Q/d_0}{2pr} \left(\frac{1}{e_0} - m_0 uv \right) \frac{1}{\sqrt{1 - u^2/c^2}}$$

$$F_{el}(in_I) = q \left(\frac{1}{e_0} \frac{Q/d_0}{2pr} \right) \frac{(1 - uv/c^2)}{\sqrt{1 - u^2/c^2}} = q \frac{Q/d_0}{2pr} \left(\frac{1}{e_0} - \frac{uv}{e_0 c^2} \right) \frac{1}{\sqrt{1 - u^2/c^2}}$$

Possiamo dunque dire che le due equazioni sono identiche se è verificata la seguente identità:

$$c = 1/\sqrt{e_0 m_0} \quad , \quad (6)$$

e la stessa è nota sin dal 1856. La velocità limite delle T. di Lorentz deve dunque essere c!
Essendo dunque identiche le due equazioni, la forza magnetica risulta ricondotta ad una forza elettrica di Coulomb, ossia alla sua vera ed intima natura!!

Appendice : Costanti fisiche.

Costante di Boltzmann k: $1,38 \cdot 10^{-23} J / K$
Accelerazione Cosmica a_{Univ} : $7,62 \cdot 10^{-12} m / s^2$
Distanza Terra-Sole AU: $1,496 \cdot 10^{11} m$
Massa della Terra M_{Terra} : $5,96 \cdot 10^{24} kg$
Raggio della Terra R_{Terra} : $6,371 \cdot 10^6 m$
Carica dell'elettrone e: $-1,6 \cdot 10^{-19} C$
Numero di elettroni equivalente dell'Universo N: $1,75 \cdot 10^{85}$
Raggio classico dell'elettrone r_e : $2,818 \cdot 10^{-15} m$
Massa dell'elettrone m_e : $9,1 \cdot 10^{-31} kg$
Costante di Struttura Fine $a(\cong 1/137)$: $7,30 \cdot 10^{-3}$
Frequenza dell'Universo n_0 : $4,05 \cdot 10^{-21} Hz$
Pulsazione dell'Universo $w_0(= H_{global})$: $2,54 \cdot 10^{-20} rad/s$
Costante di Gravitazione Universale G: $6,67 \cdot 10^{-11} Nm^2 / kg^2$
Periodo dell'Universo T_{Univ} : $2,47 \cdot 10^{20} s$
Anno luce a.l.: $9,46 \cdot 10^{15} m$
Parsec pc: $3,26 _ a.l. = 3,08 \cdot 10^{16} m$
Densità dell'Universo ρ_{Univ} : $2,32 \cdot 10^{-30} kg / m^3$
Temp. della Radiaz. Cosmica di Fondo T: $2,73 K$
Permeabilità magnetica del vuoto μ_0 : $1,26 \cdot 10^{-6} H / m$
Permittività elettrica del vuoto ϵ_0 : $8,85 \cdot 10^{-12} F / m$
Costante di Planck h: $6,625 \cdot 10^{-34} J \cdot s$
Massa del protone m_p : $1,67 \cdot 10^{-27} kg$
Massa del Sole M_{Sun} : $1,989 \cdot 10^{30} kg$
Raggio del Sole R_{Sun} : $6,96 \cdot 10^8 m$
Velocità della Luce nel vuoto c: $2,99792458 \cdot 10^8 m / s$
Costante di Stephan-Boltzmann σ : $5,67 \cdot 10^{-8} W / m^2 K^4$
Raggio dell'Universo (dal centro fino a noi) R_{Univ} : $1,18 \cdot 10^{28} m$
Massa dell'Universo (entro R_{Univ}) M_{Univ} : $1,59 \cdot 10^{55} kg$

Grazie per l'attenzione.
Leonardo RUBI NO
E-mail: leonrubino@yahoo.it

Links vari:

<http://it.catholic.net/notizie/520-i-neutrini-e-einstein-piergiorgio-odifreddi-contro-margherita-hack>

<http://notizie.tiscali.it/articoli/interviste/11/09/zichichi.html>

<http://odifreddi.blogautore.repubblica.it/2011/09/22/alla-velocita-del-neutrino/?ref=HROBA-1>

(+ un mio commento; uno degli ultimissimi)

<http://blogs.scientificamerican.com/life-unbounded/2011/09/30/what-next-for-neutrinos/>

(+ un mio commento)

http://www.focus.it/scienza/superata-la-velocita-della-luce-201109222011_C12.aspx

(+ un mio commento)

<http://www.fisicamente.net/portale/modules/news2/article.php?storyid=1889>

(+ un mio commento)

<http://www.galileonet.it/articles/4e80848a72b7ab3b2800001e>

(+ un mio commento)

<http://www.nature.com/news/2011/110922/full/news.2011.554.html>

(+ un mio commento)

<http://www.enzopennetta.it/wordpress/2012/04/boncinelli-einstein-si-puo-mettere-in-discussione-darwin-no/>

(+ un mio commento ripreso da altri)

eccetera...

Bibliografia:

- 1) (V.A. Ugarov) *TEORIA DELLA RELATIVITA' RISTRETTA*, Edizioni Mir.
- 2) (R. Sexl & H.K. Schmidt) *SPAZIOTEMPO* – Vol. 1, Boringhieri.
- 3) (C. Mencuccini e S. Silvestrini) *FISICA I* - Meccanica Termodinamica, Liguori.
- 4) http://www.fisicamente.net/FISICA_2/UNIVERSO_TRE_NUMERI.pdf
- 5) http://www.altrogiornale.org/tagcloud/tagcloud.php?Leonardo_Rubino
- 6) http://openfisica.com/fisica/upload/documenti/9/leonardo_rubino/Illusione-F-Magnetica.pdf
- 7) <http://www.altrogiornale.org/news.php?item.7566.8>
- 8) http://www.fisicamente.net/FISICA_2/THEORY_OF_RELATIVITY.pdf
- 9) http://www.fisicamente.net/FISICA_2/GENERAL_RELATIVITY.pdf
- 10) http://www.fisicamente.net/FISICA_2/UNIFICAZIONE_GRAVITA_ELETTROMAGNETISMO.pdf
- 11) <http://www.altrogiornale.org/request.php?39>
- 12) <http://www.altrogiornale.org/request.php?38>
- 13) <http://www.altrogiornale.org/request.php?36>
- 14) <http://www.altrogiornale.org/request.php?37>
- 15) <http://www.altrogiornale.org/request.php?35>
